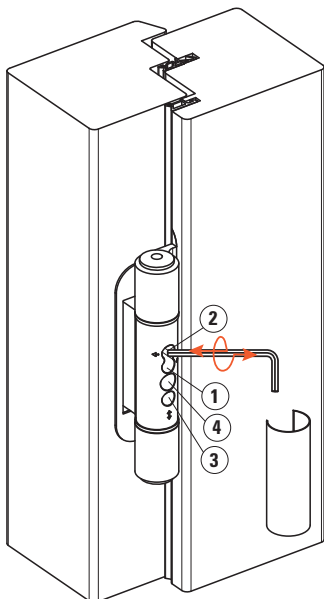


**SFS intec Easy 3D program**



# Vyrių reguliavimas



|                              |                 |
|------------------------------|-----------------|
| <b>Horizontaliai</b>         | +/- 3 mm        |
| <b>Aukštis</b>               | + 3 mm / - 2 mm |
| <b>Tarpinės prispaudimas</b> | +/- 2 mm        |

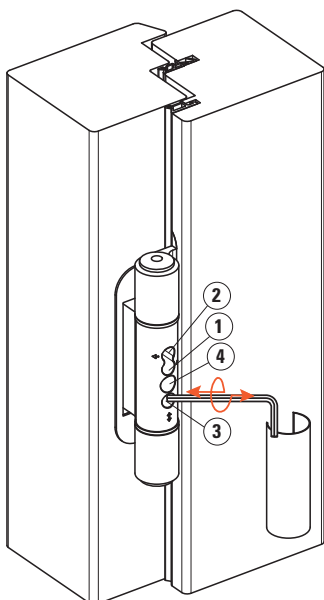
The adjustment holes are placed on the front of the hinge. These are independent, mechanical adjustments which do not interfere with each other and are made with a 4 mm hex key. Each hinge can be adjusted in 3 dimensions to better distribute the weight on all the hinges. Therefore then can be adjusted in any order.

## Horizontal adjustment to the left side

1. Loosen screw 1.
2. Tighten screw 2.

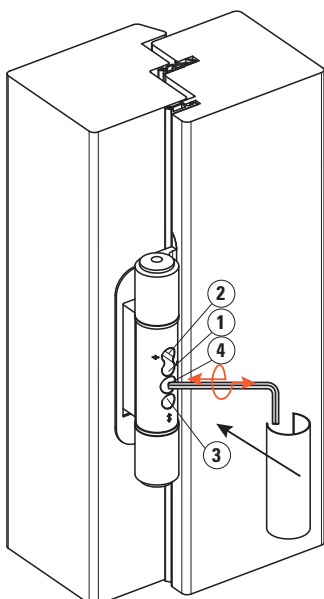
## Horizontal adjustment to the right side

1. Loosen screw 2.
2. Tighten screw 1.



## Height adjustment

1. Carry out the height adjustment by operating on screw 3.
2. To distribute weight properly, carry out the adjustment first on one hinge and then gently line up the adjustment screws of the other hinges.
3. The adjustment is a self-locking mechanism.



## Gasket pressure adjustment

1. Carry out the gasket pressure adjustment by operating on screw 4.
2. The adjustment is a self-locking mechanism

**Once the adjustments are completed, fit the cap in the main body.**

Certified hinge in accordance with EN 1935:2004 standard

Kiekvienas vėris gali b ūti reguliuojamas trim kryptimis



Tarpin pilnai perdengia vyr

Tik dvi skyl s staktoje



Saugumo varžtas

Kiekvienas vėris yra išcentruotas ir patikrintas prieš eksploatacij

Galimos vairios spalvos

Savaime besitępanti tarpin

RAL 9005



RAL 8017



Light bronzed



Brassed



Matt nickel



Matt chromed



Powder coated light inox



Imitation matt inox



RAL 9016

