

## GEZE TS 1000 C

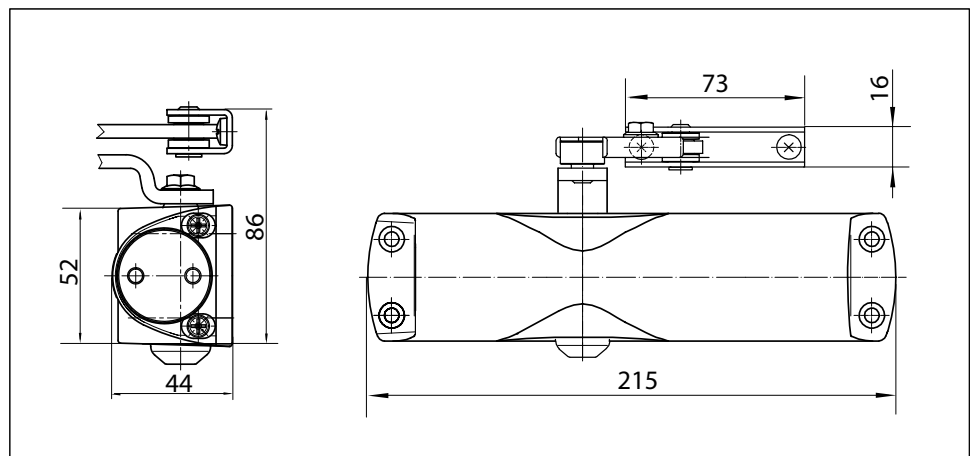
### Link arm door closer for single-leaf doors with a leaf width up to 950 mm

The overhead door closer is suitable for single-leaf doors with a leaf width up to 950 mm. The closing speed and hydraulic latching action can be adjusted. There are two different closing force settings, which can be selected simply by turning the bearing block for the link arm: 'Weak' closing force (size 2 acc. to EN 1154) for door leaf widths up to 850 mm and "strong" closing force (size 3 acc. to EN 1154) for door leaf widths up to 950 mm. The door closer is available with an optional mounting plate. This makes it suitable for left and right single-action doors without the need for conversion.

#### Special version:

- GEZE TS 1000 C with hold-open linkage featuring adjustable hold-open angle of between 70° and 150°

### GEZE TS 1000 C



#### Application range

- For internal doors
- For single-action doors, leaf width up to 950 mm
- Compatible with left-hand and right-hand doors without the need for conversion
- Standard installation on door leaf, hinge side; transom installation on opposite hinge side also possible

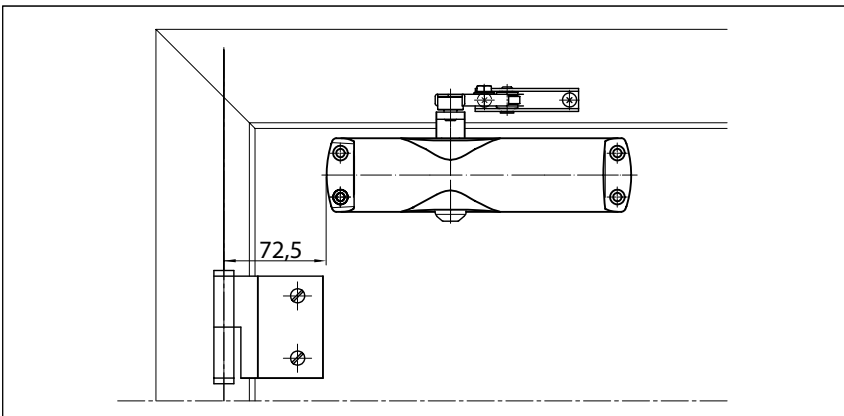
**Closer technical data**

Product features	GEZE TS 1000 C closer
Closing force in accordance with EN 1154	2/3
Leaf width recommended up to	950 mm
Identical version DIN-L and DIN-R	●
Product tested in acc. with	Door closer tested in acc. with EN 1154
Length	215 mm
Installation depth	44 mm
Height	52 mm
<b>Functions</b>	
Adjustable closing force	● via mounting
Adjustable closing speed	●
Adjustable latching action	● via valve
Integrated back check	○
Closing force adjustment position	Mounting position

● = yes  
○ = no

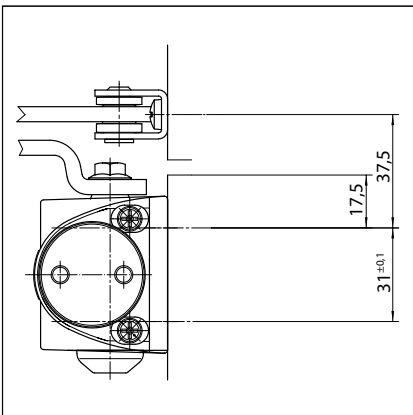
**Door leaf installation/hinge side TS 1000 C**

View

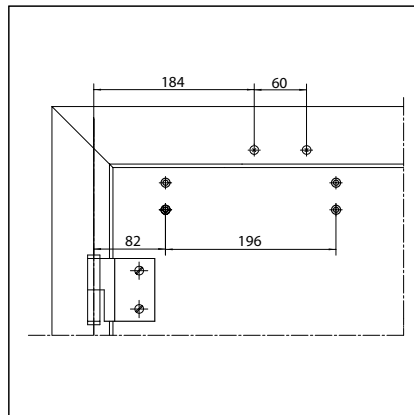


Installation example for GEZE TS 1000 C

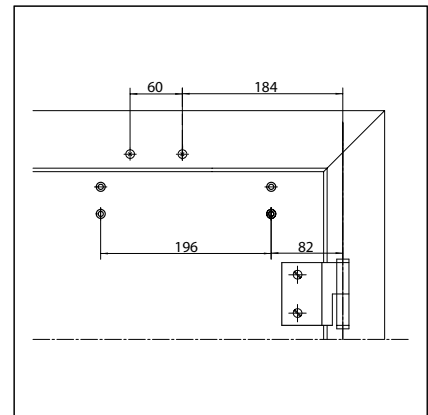
**Direct installation**



Cross section = direct installation

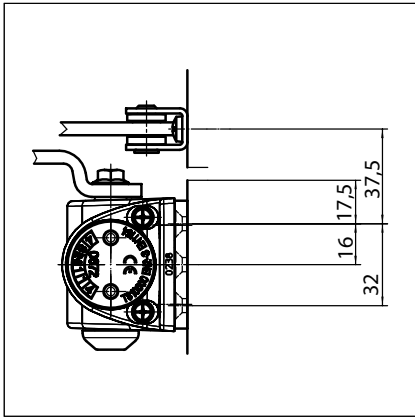


Fitting dimensions for left-hand door

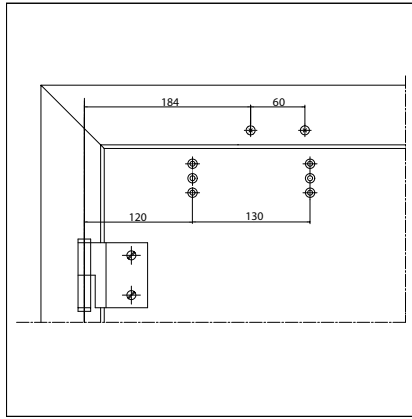


Fitting dimensions for right-hand door

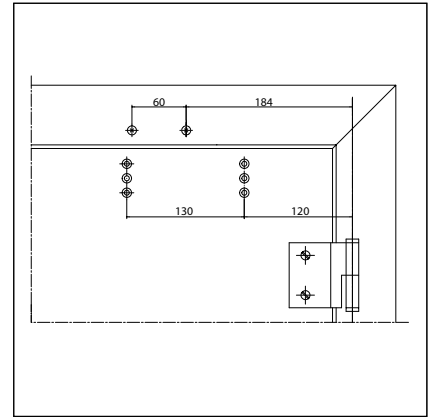
## Installation with mounting plate



Cross section = installation with mounting plate



Fitting dimensions for left-hand door



Fitting dimensions for right-hand door

## GEZE TS 1000 C - Order information

Designation	Version	ID.No.
GEZE TS 1000 C complete package <sup>2)</sup> Size EN 2/3, with hold-open linkage	silver-coloured	101771
	dark bronze	101772
	white RAL 9016	101773
	black RAL 9005	119574
	brass-coloured	101777
GEZE TS 1000 C complete package Size EN 2/3, with link arm	acc. to RAL	101776
	silver-coloured	101765
	dark bronze	101766
	white RAL 9016	101767
	black RAL 9005	119573
Link arm TS 1500/1000C <sup>2)</sup> With mechanical hold-open device	brass-coloured	101770
	acc. to RAL	101769
	silver-coloured	101815
	dark bronze	101816
	white RAL 9016	101817
Link arm TS 1500/1000C Standard	acc. to RAL <sup>1)</sup>	101818
	silver-coloured	101878
	dark bronze	101879
	white RAL 9016	101881
	acc. to RAL <sup>1)</sup>	101882
<b>Installation material</b>		
Door closer mounting plate For TS 1000 C	silver-coloured	072019
	dark bronze	072020
	white RAL 9016	072021
	black RAL 9005	072022

1) Surcharge for special RAL colours, see general information

2) Not approved for fire and smoke protection doors in Germany